

42M24T Electromechanical In-Wall Timer

Installation and Operating Instructions

Use as replacement for standard indoor wall box toggle switch to provide automatic control of outdoor or indoor lighting, fans, pumps, office machines, and other types of circuits rated at 120 VAC. The 48 captive tab style "trippers" are easy to set and provide up to 24 "ON/OFF" events in a 24 hour period. Synchronous motor drive provides maximum accuracy with low energy use. The three-way "ON/OFF/TIMER" manual switch provides continuous "ON" or "OFF" conditions, when desired.

Installation Instructions

Read the installation instructions carefully.

1. Check the input and output ratings marked on the unit to make sure this product is suitable for your application.
2. Disconnect power supply prior to installation to prevent electrical shock. **NOTE:** Any damage to the contacts caused by a short circuit event will void warranty.
3. Wire in accordance with National and local electrical code requirements. **NOTE:** wiring diagram provided.
4. **BE SURE ALL CONNECTIONS ARE SECURE. DOUBLE CHECK ALL TWIST TYPE WIRE CONNECTORS.**
5. Mount timer into wall box using screws included in package.
6. If timer does not operate, check that the timer's black wire is connected to the "hot" wire and not the "load" wire.

Operation Instructions

Manual Operation

The slide switch provides manual operation of the load, overriding the timer. Set to the "OFF" position, the circuit (load) will be continuously OFF, and if set to the "ON" position, the circuit (load) will be continuously ON.

For automatic timed "ON" and "OFF" events, the switch must be in the "TIMER" position.

Programming

The timer dial contains 48 tab style "trippers" which allow multiple "ON/OFF" sequences with a minimum "ON" or "OFF" timed event of 30 minutes. When the tripper is set to the outer perimeter of the dial, the switch will turn "ON" at the time adjacent to the tripper. The switch will return to the "OFF" position when the timer advances past the outward trippers.

To program:

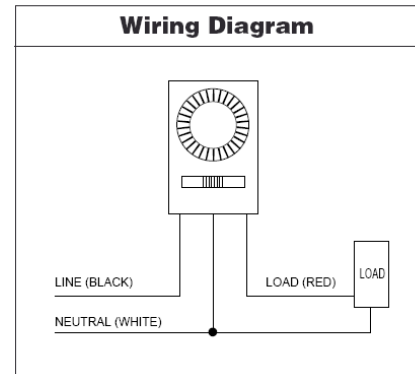
Set all trippers outward for the duration of the "ON" event. For example, to turn lights "ON" at 5:00 PM and "OFF" at 11:00 PM, position the 12 trippers between 5 and 11 outward on the "PM" side of the dial. Be sure the manual override switch is in the "TIMER" position.

NOTE: For time events where "OFF" programming is desired, the trippers must be moved to the inner perimeter (edge) of the dial.

Setting the Time:

Rotate the dial **clockwise** (↻) until the correct time and "AM" or "PM" is opposite the arrow on the plate.

CAUTION: Turning dial counter-clockwise (↺) will cause damage to the timer and will void warranty.



SPECIFICATIONS:

Ratings:

120VAC, 60Hz
20A Resistive
20A General Purpose
1HP

Switch: SPST

Operating Temp. Range: -40°F to 180°F

Operating Humidity:



FEATURES & BENEFITS:

- 24 hour time switch program
- 48 captive tab style trippers with 30 minute switching intervals
- ON/OFF/TIMER Manual override switch
- Wall plate included
- Reliable, accurate and energy saving synchronous timer motor
- Mounts in standard electrical wall box
- Can be ganged to allow control of two separate circuits with different time schedules
- Works with incandescent and CFL's
- UL and cUL Listed

WARRANTY: This product warranty is against defective material or workmanship for a period of one year from date of shipment from the factory when the product is utilized in accordance with instructions and specified ratings. This warranty does not cover damage due to accident, abuse, or mishandling. We will not assume any expense or liability for repairs made upon our products outside the factory without written consent. Claims for defective products must be reported to the factory within five (5) business days of receipt.